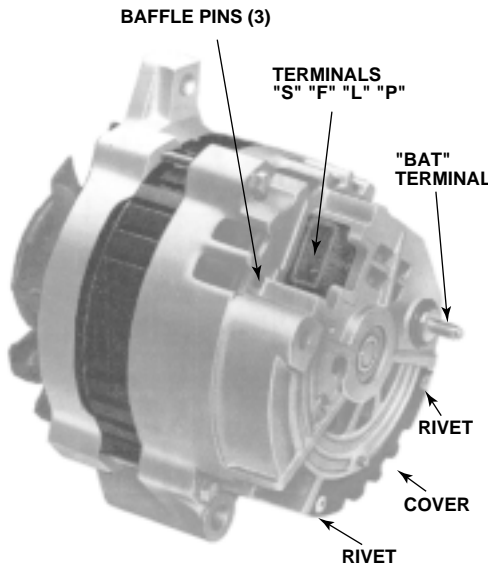
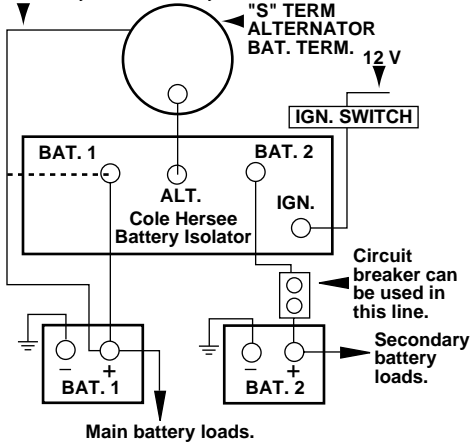


WIRING INFORMATION - Battery Isolators Nos. 48162, 48122, 48092 when used with Delcotron CS Series alternators.

Before beginning installation consult your vehicle manual for the proper method of disconnecting the main battery. This is especially important for computer equipped vehicles.

Yellow wire supplied with unit. Connection may be made to either BAT 1 terminal on isolator or directly to main battery.



Typical CS Series alternator and terminal locations.

The other end of the yellow wire lead can now be connected to isolator terminal Battery #1 or directly to the main battery as shown in the installation diagram.

For vehicles with a rubber plug covering alternator terminals S-F-L-P.

Remove the rubber plug from S-F-L-P. Make a hole in the plug above the "S" terminal. Feed the yellow wire through the hole and attach the terminal on the yellow wire to the "S" terminal on the alternator (largest terminal).

Replace rubber plug in the alternator. The other end of the yellow wire can now be connected to isolator terminal Battery #1 or directly to the main battery as shown in the installation diagram.

Option: A slot can be cut half way through the plug, making sure the plug covers the yellow wire.

Cut the large wire (alternator output wire) connecting the alternator to the main (#1) battery. Make sure the wire is cut at a point **before** it reaches the **feed to the ignition switch**.

Connect the alternator end of the wire to the alternator terminal on the isolator.

Check the battery end of the cut wire to the Battery #1 terminal of the isolator.

Run a wire from the Battery #2 terminal of the isolator to the second battery as shown in the installation diagram. Use wire sized to the alternator output.

Insulate all wire connections where needed.

Reconnect the batteries' grounds. The unit is now ready to use.

NOTE: If an ammeter is used with the alternator, it will only read in one direction.

Making the connection to the "S" terminal of the alternator.

For vehicles with a wire connector at alternator location S-F-L-P.

Disconnect the wire connector at S-F-L-P. Insert the terminal with the yellow wire lead (supplied in poly bag) into the "S" location in the connector (largest opening).

Connection must be made from wire side of connector.

Make sure the groove on the connector and the tab on the terminal line up. A "click" should be heard when the terminal is seated and locked in place.

Reconnect connector to alternator.

All wiring connections are made directly at the alternator. Taking short cuts causes the charging system to malfunction. Do not assume wires on solenoids, starters or terminal blocks are the points shown in the wiring diagram.

WIRING INFORMATION - Battery Isolators Nos. 48070, 48080, 48090, 48120, 48160, 48161.

Disconnect both batteries.

Install the isolator on a vertical panel (with cooling fins vertical) as near as possible to the alternator and main battery. It should be mounted away from the engine and radiator to avoid heat and positioned in the stream of cooling air from the fan.

Important - for No. 48080

Make all connections by splicing to the three wire leads assembled to the isolator. The wire leads are factory installed to assure proper efficiency. Do not loosen or remove the wire leads as this may alter the operation of the unit. Insulate all splices properly.

Disconnect the large wire (alternator output wire) connecting the alternator to the main (#1) battery. On systems using a voltage regulator, disconnect the large wire from the regulator to the main (#1) battery.

Connect this wire to the Battery #1 terminal of the isolator.

For No. 48080 splice to the Battery #1 wire.

Connect a wire from the ALT terminal of the isolator to the output terminal on the alternator. Use wire sized to the alternator output.

For No. 48080 splice to the red ALT wire.

Run a wire from the Battery #2 terminal of the isolator to the second battery as shown in the installation diagram. Use wire sized to the alternator output.

For No. 48080 splice the remaining black wire from the isolator to the wire leading to Battery #2.

Reconnect the batteries' grounds. The unit is now ready to use.

Before beginning the installation consult your vehicle manual for the proper method of disconnecting the main battery. This is especially important for computer equipped vehicles.

