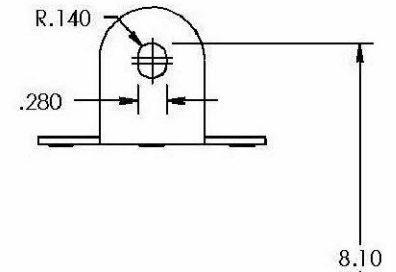
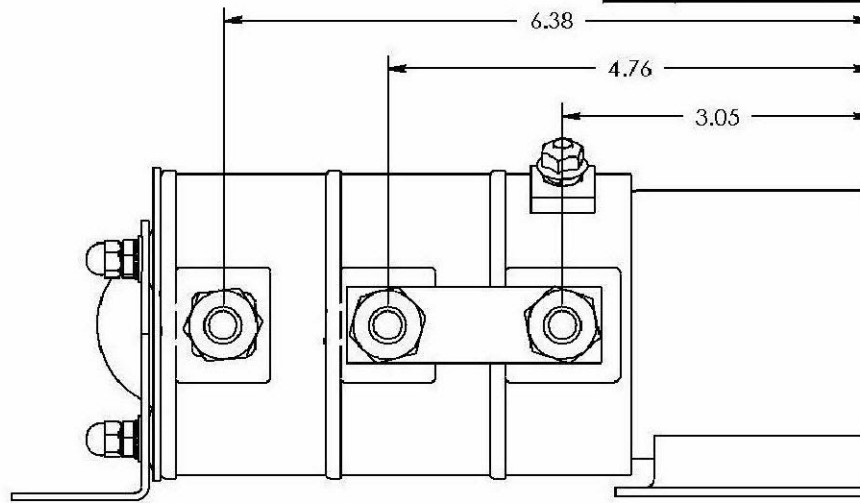
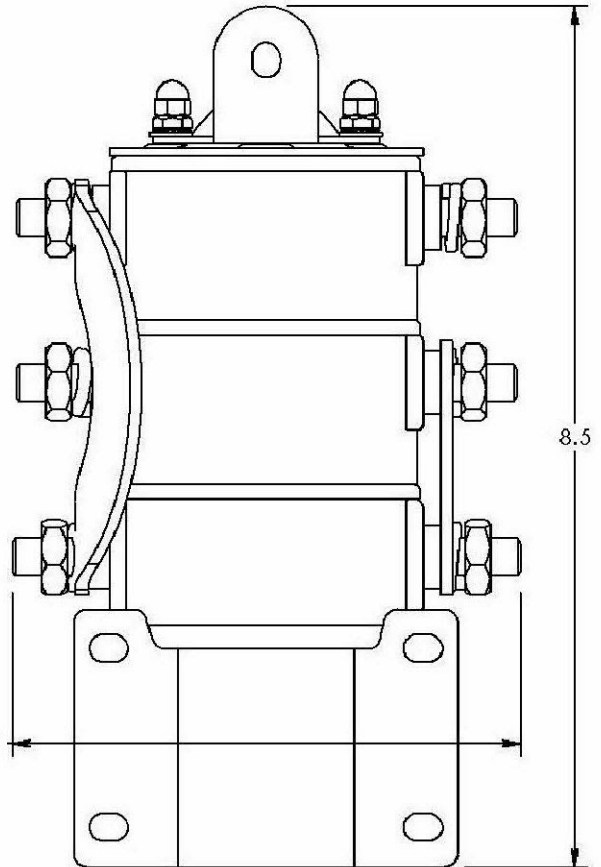
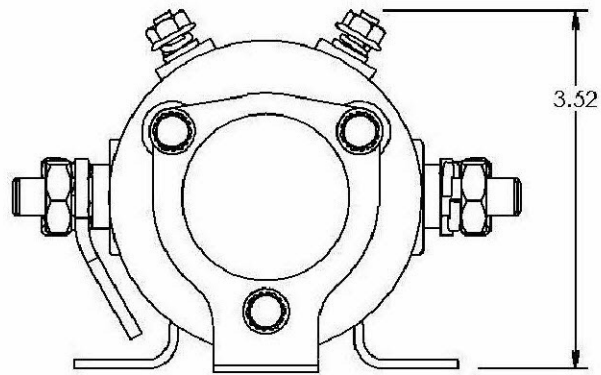


REV	WAS	BY	DATE
A	Production Version	ABP	1/17/2002
NC	Added Controller Note ECN 1008	ABP	10/6/2005



Comments:
Copper (CDA-11000) contact disc, Cadmium/Iridite plated.
Contact bolts: electrolytic copper.

Cadmium plating: .00015 minimum thickness.

Light Nygel on contacts

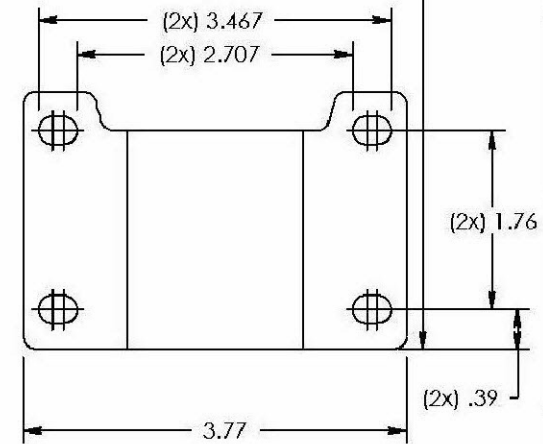
Current Draw: 12.7 - 13.11 amps at 24 volts
Resistance: 1.83 - 1.89 Ohms
Pull In Voltage: 15 volts
Drop Out Voltage: 2.5 volts
Amp Rating: Across Contact, 1500 amps

Suggested Duty Cycle: 90 seconds ON, 6 minutes OFF.

Solenoid is rated for Intermittent Duty.
Can be used Controller for Continuous Duty.

Mounting: Solenoid housing may reach temperatures in excess of 200 degrees F if solenoid is left energized for an extended period. Care must be taken to avoid accidental contact and contact with combustible material.

WARNING
Contact with housing during or soon after extended use can cause severe burns.



CAD GENERATED DRAWING.
DO NOT UPDATE MANUALLY

ENGLISH

UNLESS OTHERWISE SPECIFIED
DIMENSIONS ARE IN INCHES
TOLERANCES ARE:

FRACTIONS ± 1/64
DECIMALS
X.XX ±0.01
X.XXX ±0.005
ANGLES ± 1°

APPROVALS	DATE
DRAWN CHF	1/18/02
CHECKED	

107 Spec Sheet		REV.
SIZE A	DWG. NO.	A
SCALE 1:2	SHEET 1 OF 1	
DO NOT SCALE DRAWING		

Inspection Item