

METAL CASE SOLENOIDS

Standard Unit Selection Guide Type SAW, SAS, and SBD Metal Case Solenoids

Prestolite Type SAW, SAS, and SBD Solenoids Switches are designed to switch inductive loads in DC circuits up to 36 volts. These metal-enclosed switches employ a moving contact disk for high performance and are especially resistant to damage from road debris, making them suitable for controlling a wide variety of loads, such as:

- ❖ Engine Starting Motors and Shift Solenoids
- ❖ Hydraulic Pump Motors
- ❖ Winch Motors
- ❖ Traction Motors
- ❖ Auxiliary Power Circuits

Construction/Performance

- ❖ Zinc-Plated Steel Case
- ❖ 6 to 48 VDC Inductive Loads
- ❖ Moving Disk Contacts
- ❖ Up to 200 Amps Continuous
- ❖ Copper or Silver Alloy Contacts
- ❖ Continuous and Intermittent Duty Coils
- ❖ SPST-NO Contacts - Type SAW and SAS
- ❖ SPDT Contacts - Type SBD
- ❖ Short Case - Type SAW
- ❖ Long Case - Type SAS and SBD



METAL CASE SOLENOIDS

Prestolite will custom-design solenoids to meet specific customer requirements, but also offers a wide range of standard designs. Units shown are normally available from stock at our distribution center in Troy, Ohio. For application assistance and detailed technical specifications, please contact Prestolite.

Standard Features

- ❖ SPST-NO Contacts (Type SAW and SAS)
- ❖ 50,000 Cycle Electrical Life
- ❖ Terminal Hardware Available
- ❖ SPDT Contacts (Type SBD)
- ❖ Metal Case Construction

Standard Designs-Type SAW, SAS and SBD Solenoids

Carry Amps	Contact Material	Coil Volts	Wiring Diag	Coil Duty	Mounting Bracket	Mounting Provisions	Mounting Centers	Coil Ohms	Pickup Volts	Optional Features	Load Terminals	Coil Terminals	Part Number
100	C	6	1	I	F	0.28 Slots	2.32 In	1.05	4		5/16-24	(1)10-32	SAW4604A
100	C	6	1	I	C	0.22 Slots	56 Deg	1.05	4		5/16-24	(1)10-32	SAW4601
100	C	6	1	C	F	0.28 Slots	2.32 In	4.2	4.5		5/16-24	(1)10-32	SAS-4605
100	C	6	2	I	F	0.22 Slots	2.16 In	1.05	4		5/16-24	(2)10-32	SAW-4606
100	C	6	2	C	F	0.28 Slots	2.32 In	4.2	4.5		5/16-24	(2)10-32	SAS-4601
100	C	6	3	I	F	0.22 Slots	2.16 In	1.05	4		5/16-24	(1)10-32	SAW-4605
100	C	7	1	C	F	0.28 Slots	2.32 In	6.1	5		5/16-18	(1)10-32	SAS-4609
100	C	7	1	C	F	0.28 Slots	2.32 In	6.1	5		5/16-24	(1)10-32	SAS-4610
100	C	12	1	I	F	0.22 Slots	2.16 In	4	8		5/16-24	(1)10-32	SAW-4204
100	C	12	1	I	F	0.28 Slots	2.16 In	4	8		5/16-24	(1)10-32	SAW-4215
100	C	12	1	I	F	0.28 Slots	2.16 In	4	8		5/16-24	(1)10-32	SAW-4216
100	C	12	1	I	C	0.22 Slots	56 Deg	4	8		5/16-24	(1)10-32	SAW-4201
100	C	12	1	I	C	0.22 Slots	56 Deg	4	8	R	5/16-24	(1)10-32	SAW-4214
100	C	12	1	I	C	0.28 Slots	56 Deg	4	8		5/16-24	(1)10-32	SAW-4227
100	C	12	1	I	C	0.28 Slots	56 Deg	4	8		5/16-24	(1)10-32	SAW-4230
100	C	12	1	I	C	0.28 Slots	56 Deg	4	8		5/16-24	(1)10-32	SAW-4224
100	C	12	1	I	C	0.28 Slots	56 Deg	4	8	R	5/16-24	(1)10-32	SAW-4228
100	C	12	1	C	F	0.28 Slots	2.32 In	14.5	9		5/16-24	(1)10-32	SAS-4208
100	C	12	1	C	F	0.28 Slots	2.32 In	14.5	9	R	5/16-24	(1)10-32	SAS-4218
100	C	12	1	C	C	0.28 Slots	56 Deg	14.5	8		5/16-24	(1)10-32	SAS-4220
100	C	12	2	I	F	0.22 Slots	2.16 In	4	8		5/16-24	(2)10-32	SAW-4206
100	C	12	2	I	C	0.22 Slots	56 Deg	4	8		5/16-24	(2)10-32	SAW-4203
100	C	12	2	I	C	0.22 Slots	56 Deg	4	8	U	5/16-24	(2)10-32	SAW-5203
100	C	12	2	I	C	0.28 Slots	56 Deg	4	8		5/16-24	(2)10-32	SAW-5229
100	C	12	2	I	C	0.28 Slots	56 Deg	4	8		5/16-24	(2)10-32	SAW-4225
100	C	12	2	HDI	C	0.22 Slots	56 Deg	4.2	8	U	5/16-24	(2)10-32	SAS-5202B
100	C	12	2	HDI	C	0.28 Slots	56 Deg	4.2	8	U	5/16-24	(2)10-32	SAS-5202C
100	C	12	2	HDI	C	0.28 Slots	56 Deg	4.2	8	U	5/16-24	(2)10-32	SAS-5202D
100	C	12	2	C	F	0.28 Slots	2.32 In	14.5	8		5/16-24	(2)10-32	SAS-4201
100	C	12	2	C	F	0.28 Slots	2.32 In	14.5	9	R	5/16-24	(2)10-32	SAS-4214
100	C	12	2	C	F	0.28 Slots	2.32 In	14.5	9	U	5/16-24	(2)10-32	SAS-5203A
100	C	12	2	C	C	0.28 Slots	56 Deg	14.5	8		5/16-24	(2)10-24	SAS-4219
100	C	12	3	I	F	0.22 Slots	2.16 In	4	8		5/16-24	(1)10-32	SAW-4205
100	C	12	3	I	F	0.22 Slots	3.12 In	4	8		5/16-24	(1)10-32	SAW-4209
100	C	12	3	I	F	0.28 Slots	2.16 In	4	8		5/16-24	(1)10-32	SAW-4212
100	C	12	3	I	C	0.22 Slots	56 Deg	4	8		5/16-24	(1)10-32	SAW-4218
100	C	12	3	I	C	0.28 Slots	56 Deg	4	8		5/16-24	(1)10-32	SAW-4211
100	C	18	2	C	F	0.28 Slots	2.32 In	36	13.5	U	5/16-24	(2)10-32	SAS-5803A
100	C	24	1	I	F	0.28 Slots	2.16 In	16.8	16		5/16-24	(1)10-32	SAW-4417
100	C	24	1	I	C	0.22 Slots	56 Deg	16.8	16		5/16-24	(1)10-32	SAW-4401
100	C	24	1	I	C	0.28 Slots	56 Deg	16.8	16		5/16-24	(1)10-32	SAW-4414
100	C	24	1	HDI	F	0.28 Slots	2.32 In	16.8	16		5/16-24	(1)10-32	SAS-4418

METAL CASE SOLENOIDS

Standard Designs-Type SAW, SAS and SBD Solenoids

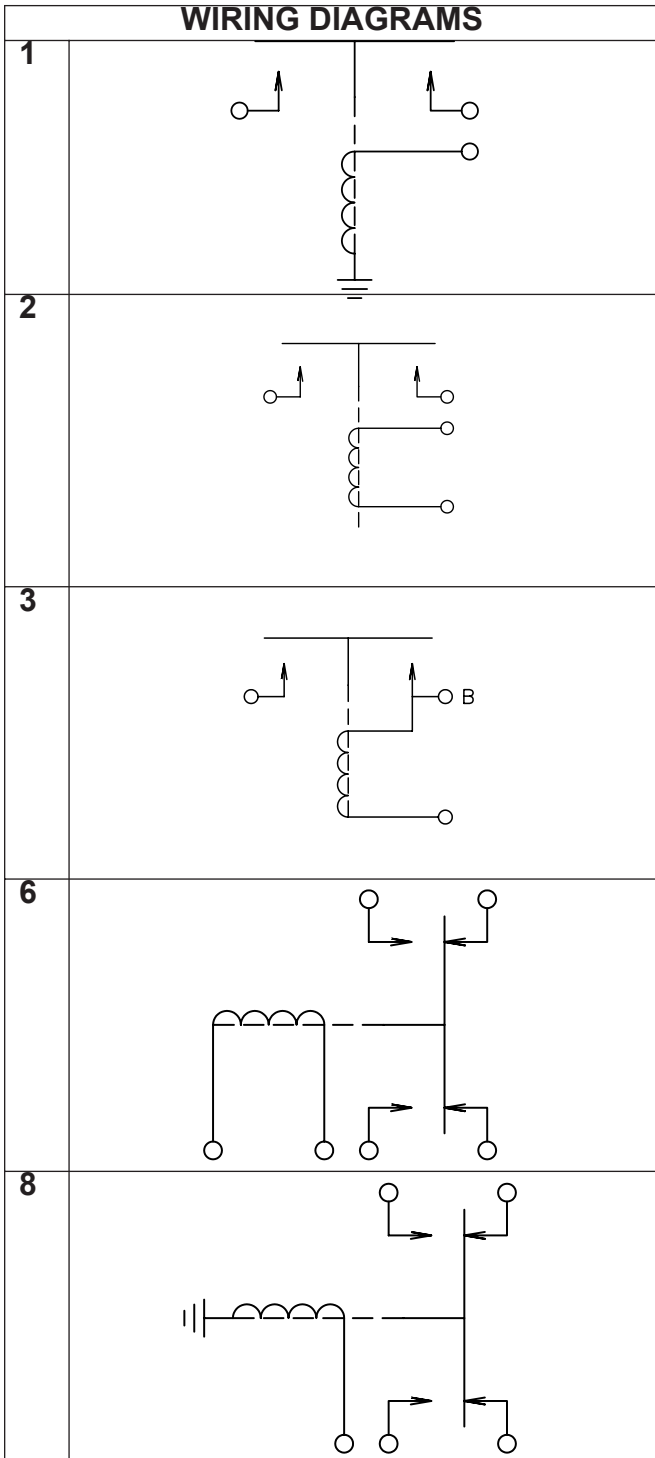
Carry Amps	Contact Material	Coil Volts	Wiring Diag	Coil Duty	Mounting Bracket	Mounting Provisions	Mounting Centers	Coil Ohms	Pickup Volts	Optional Features	Load Terminals	Coil Terminals	Part Number
100	C	24	1	C	F	0.28 Slots	2.32 In	54	18	R	5/16-24	(1)10-32	SAS-4414
100	C	24	1	C	F	0.28 Slots	2.32 In	54	15		5/16-24	(1)10-32	SAS-4415
100	C	24	1	C	F	0.28 Slots	2.32 In	91	15		5/16-24	(1)10-32	SAS-4417
100	C	24	1	C	C	0.22 Slots	56 Deg	54	18		5/16-24	(1)10-32	SAS-4404
100	C	24	2	I	F	0.22 Slots	2.16 In	16.8	16		5/16-24	(2)10-32	SAW-4406
100	C	24	2	I	F	0.22 Slots	2.16 In	16.8	16	U	5/16-24	(2)10-32	SAW-5406
100	C	24	2	I	F	0.28 Slots	2.16 In	16.8	16		5/16-24	(2)10-32	SAW-4415
100	C	24	2	I	C	0.28 Slots	56 Deg	16.8	16		5/16-24	(2)10-32	SAW-4416
100	C	24	2	I	C	0.28 Slots	56 Deg	16.8	16	U	5/16-24	(2)10-32	SAW-5418
100	C	24	2	HDI	C	0.22 Slots	56 Deg	16.8	16	U	5/16-24	(2)10-32	SAS-5404B
100	C	24	2	HDI	C	0.28 Slots	56 Deg	16.8	16	U	5/16-24	(2)10-32	SAS-5402C
100	C	24	2	HDI	C	0.28 Slots	56 Deg	16.8	16	U	5/16-24	(2)10-32	SAS-5402D
100	C	24	2	HDI	C	0.28 Slots	56 Deg	16.8	16	U,R	5/16-24	(2)10-32	SAS-5402E
100	C	24	2	C	FS	0.28 Slots	2.32 In	54	18	U	5/16-24	(2)10-32	SAS-5403B
100	C	24	2	C	F	0.28 Slots	2.06 In	54	16	R	5/16-24	(2)10-32	SAS-4416
100	C	24	2	C	F	0.28 Slots	2.06 In	62	16.5		5/16-24	(2)10-32	SAS-4421
100	C	24	2	C	F	0.28 Slots	2.32 In	54	16		5/16-24	(2)10-32	SAS-4410
100	C	24	2	C	F	0.28 Slots	2.32 In	54	18	U	5/16-24	(2)10-32	SAS-5403A
100	C	24	3	I	F	0.22 Slots	2.16 In	16.8	16		5/16-24	(1)10-32	SAW-4413
100	C	24	3	I	C	0.22 Slots	56 Deg	16.8	16		5/16-24	(1)10-32	SAW-4402
100	C	24	3	C	F	0.28 Slots	2.32 In	54	18	R	5/16-24	(1)10-32	SAS-4411
100	C	36	2	HDI	F	0.28 Slots	2.32 In	54	16		5/16-24	(2)10-32	SAS-4302
100	C	36	2	C	FS	0.28 Slots	2.32 In	157	27	U	5/16-24	(2)10-32	SAS-5303A
100	C	36	2	C	F	0.28 Slots	2.06 In	157	27		5/16-24	(2)10-32	SAS-4303
200	S	12	1	HDI	C	0.28 Slots	56 Deg	4.2	8	R	5/16-24	(1)10-32	SAS-4221
200	S	12	2	C	F	0.28 Slots	2.06 In	14.5	9		5/16-24	(2)10-32	SAS-4222
200	S	12	2	C	F	0.28 Slots	2.32 In	14.5	9		5/16-24	(2)10-32	SAS-4202
200	S	12	2	C	F	0.28 Slots	2.32 In	14.5	7		5/16-24	(2)10-32	SAS-4213
200	S	12	2	C	F	0.28 Slots	2.32 In	14.5	9	U	5/16-24	(2)10-32	SAS-5201A
200	S	12	2	C	C	0.22 Slots	56 Deg	14.5	9	U	5/16-24	(2)10-32	SAS-5201B
200	S	12	2	C	C	0.28 Slots	56 Deg	14.5	9	U	5/16-24	(2)10-32	SAS-5201C
200	S	18	3	HDI	F	0.28 Slots	2.32 In	9.4	12		5/16-24	(1)10-32	SAS-4801
200	S	24	2	C	F	0.28 Slots	2.06 In	54	16	R	5/16-24	(2)10-32	SAS-4420
200	S	24	2	C	F	0.28 Slots	2.32 In	54	18		5/16-24	(2)10-32	SAS-4401
200	S	24	2	C	F	0.28 Slots	2.32 In	54	18	U	5/16-24	(2)10-32	SAS-5401A
200	S	24	2	C	C	0.22 Slots	56 Deg	54	18		5/16-24	(2)10-32	SAS-4408
200	S	24	2	C	C	0.28 Slots	56 Deg	54	18	U	5/16-24	(2)10-32	SAS-5401B
200	S	24	3	HDI	F	0.28 Slots	2.32 In	16.8	16		5/16-24	(1)10-32	SAS-4405
200	S	36	2	C	F	0.28 Slots	2.32 In	157	27		5/16-24	(2)10-32	SAS-4301

NO/ NC

TYPE SBD - SPDT CONTACTS

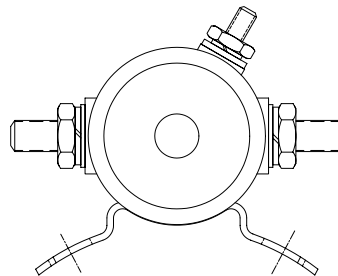
100/150	C/S	6	6	C	F	0.28 Slots	2.32 In	4.2	4.5		5/16-24	(2)10-32	SBD-4601
100/100	C/C	12	8	HDI	F	0.28 Slots	2.06 In	7.9	9		5/16-24	(1)10-32	SBD-4201E
100/100	C/C	12	8	HDI	F	0.28 Slots	2.06 In	7.9	9		5/16-24	(1)10-32	SBD-4201H
100/150	C/S	12	8	HDI	F	0.28 Slots	2.06 In	7.9	9		5/16-24	(1)10-32	SBD-4201K
200/150	S/S	12	8	HDI	F	0.28 Slots	2.06 In	7.9	9		5/16-24	(1)10-32	SBD-4201J
100/100	C/C	12	8	C	F	0.28 Slots	2.32 In	15.5	9		5/16-24	(1)10-32	SBD-4201
100/100	C/C	12	8	C	F	0.28 Slots	2.32 In	15.5	9		5/16-24	(1)10-32	SBD-4201D
100/100	C/C	12	6	C	F	0.28 Slots	2.32 In	15.5	9		5/16-24	(2)10-32	SBD-4201A
200/150	S/S	12	6	C	F	0.28 Slots	2/32 In	15.5	9	R	5/16-24	(2)10-32	SBD-4201G
100/100	C/C	24	6	HDI	F	0.28 Slots	2.32 In	32	16		5/16-24	(2)10-32	SBD-4401B
100/100	C/C	24	6	C	F	0.28 Slots	2.32 In	54	16		5/16-24	(2)10-32	SBD-4401
200/150	S/S	24	6	C	FS	0.28 Slots	2.32 In	54	16	U	5/16-24	(2)10-32	SBD-5401
100/100	C/C	36	6	C	F	0.28 Slots	2.32 In	91	22		5/16-24	(2)10-32	SBD-4301A
100/150	C/S	36	6	C	F	0.28 Slots	2.32 In	91	22		5/16-24	(2)10-32	SBD-4301

METAL CASE SOLENOIDS

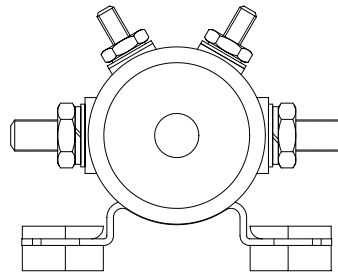


CURRENT RATINGS					
CODE	CONTACT		CARRY	MAKE	BREAK
	FORM	MATERIAL			
12	N.O.	Copper	100	600	200
		Silver Alloy	200	900	300
	N.C.	Copper	100	300	100
		Silver Alloy	150	400	150
	N.O.	Copper	100	600	150
		Silver Alloy	200	900	250
	N.C.	Copper	100	300	75
		Silver Alloy	150	400	125
	N.O.	Copper	100	600	125
		Silver Alloy	200	900	200
	N.C.	Copper	100	300	50
		Silver Alloy	150	400	75

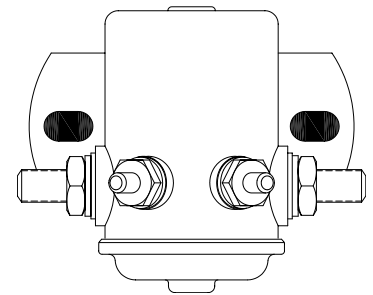
COIL RATINGS			
Code	Type	Duty Cycle	Max "On" Time
I	Intermittent	25%	2 Minutes
HDI	HD Intermittent	25%	10 Minutes
C	Continuous	100%	N/A



C
CURVED 2.22" RADIUS



FS
FLAT WITH STANDOFFS



F
FLAT

AMETEK/Prestolite Switch, US Office
2220 Corporate Drive, Troy, Ohio 45373
OEM Sales (937) 440-0843 Fax: (937) 440-0881
Aftermarket Sales 866-879-3204 Fax: 866-879-3205
E-Mail: orders.prestoliteswitch@ametek.com

AMETEK/Prestolite Switch, International Sales
Ipswich Road, Cardiff CF239XP, Wales, UK
44 (0) 29 2049 6763 Fax: 44 (0) 29 2046 2337
E-Mail: cardiff@prestolite.co.uk