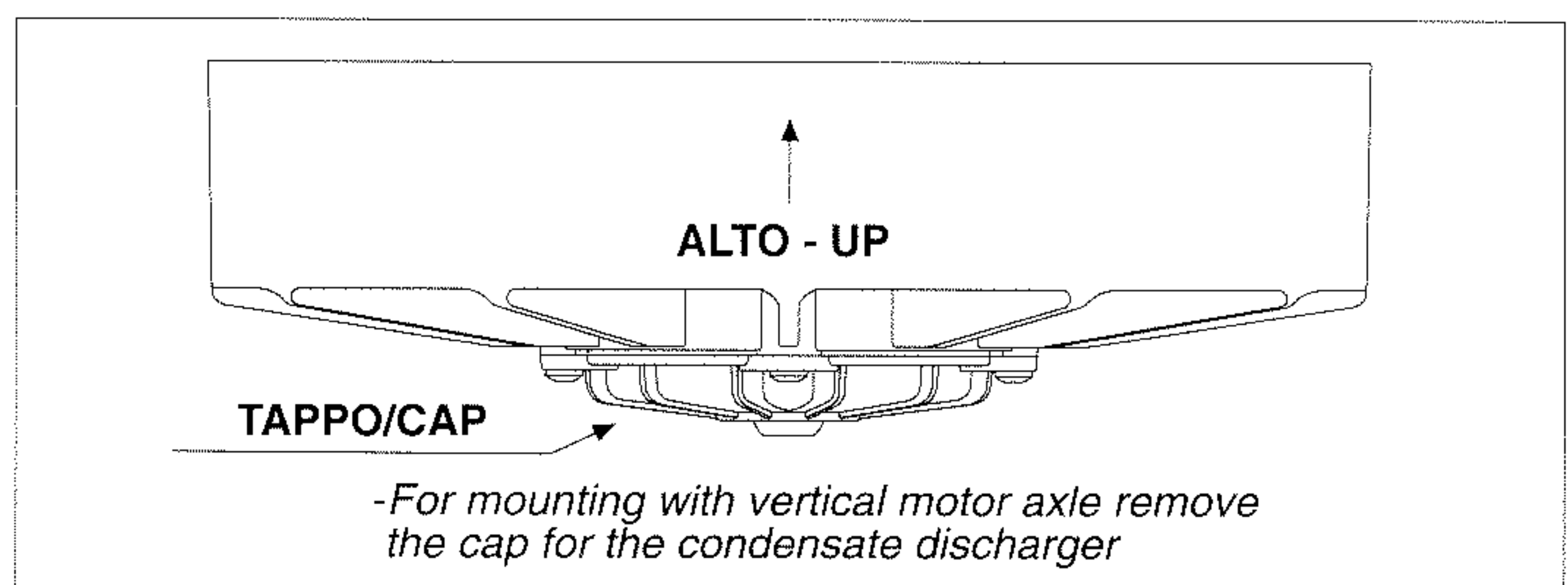
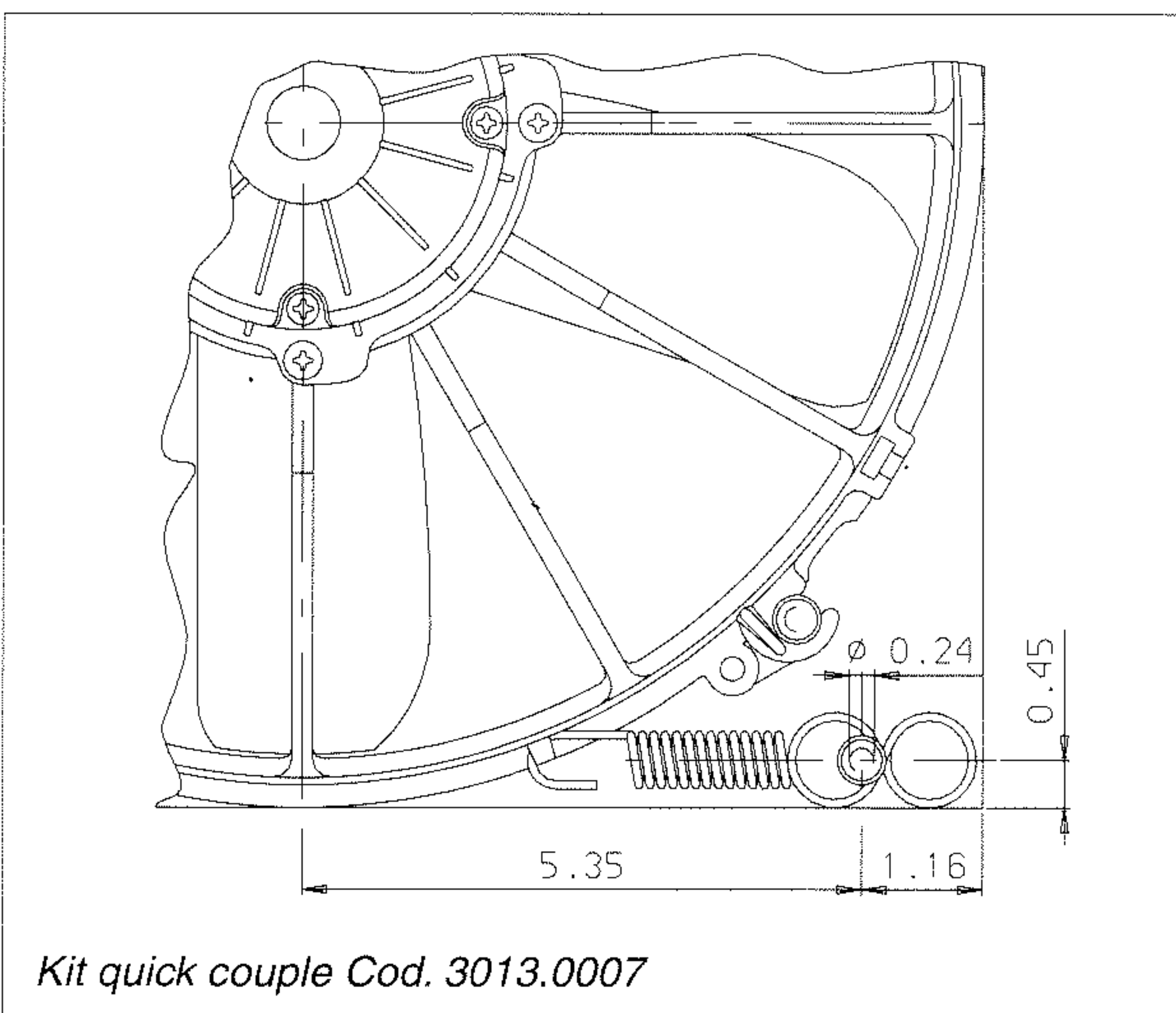
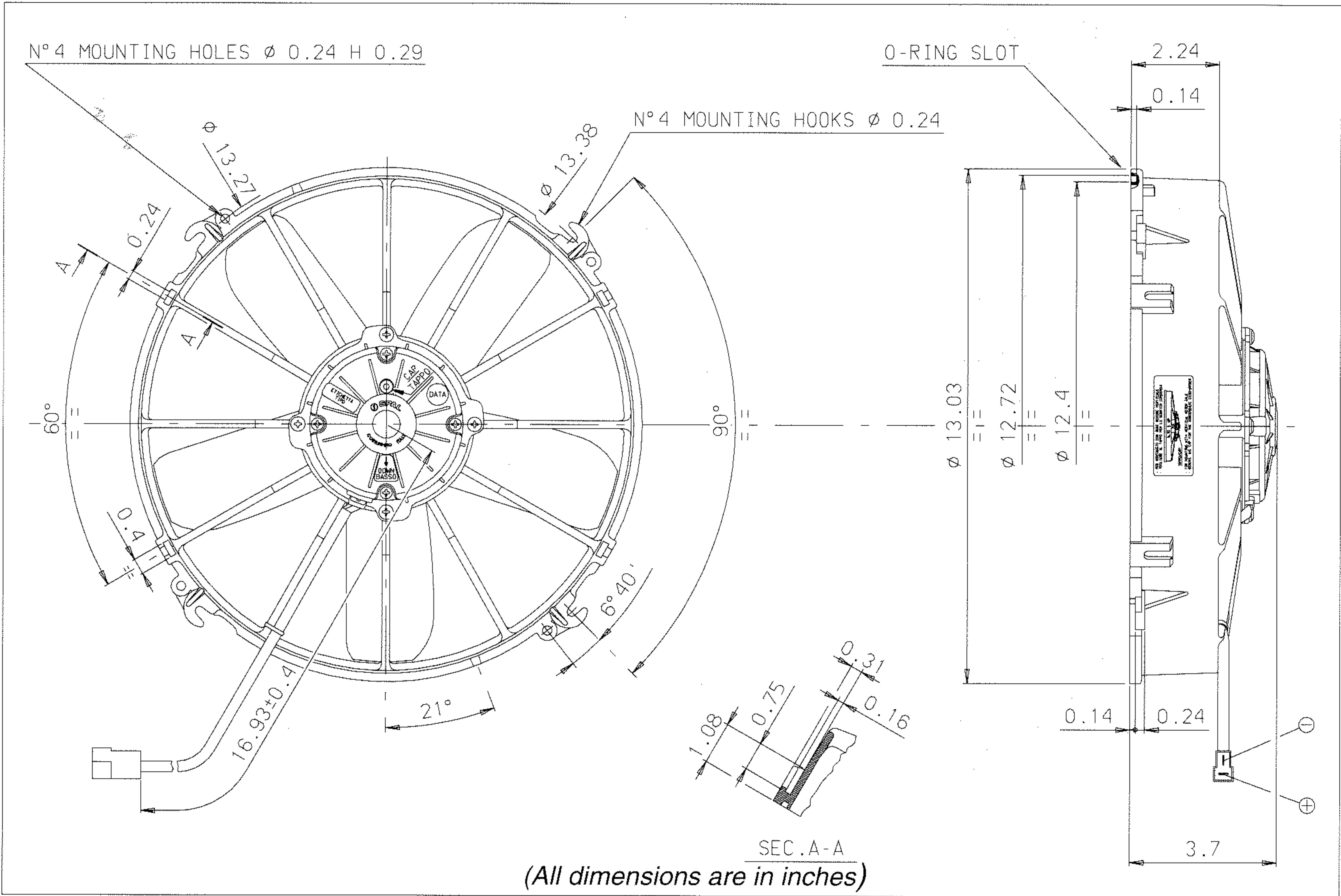


Art. 30102038 30102025	Type VA01 - AP6 - 36A Pull VA01 - AP6 - 36S Push	Fan diameter 12"
--	--	----------------------------



Test voltage 13 V DC

Static pressure in H ₂ O	Airflow cfm	Current input A
0	1630	14.5
0.2	1450	15
0.4	1240	16
0.6	950	17
0.8	590	17.8
1.0	420	18.5
1.2	270	19
1.4	-	20

Static pressure: 1 mm H₂O = 0,04 in. H₂O
Airflow: 1 m³/h = 0,59 cfm

- * Weight 5.39 lbs. approx.
- * Closed motor
- * Long life
- * Available accessories: all the mounting kits.